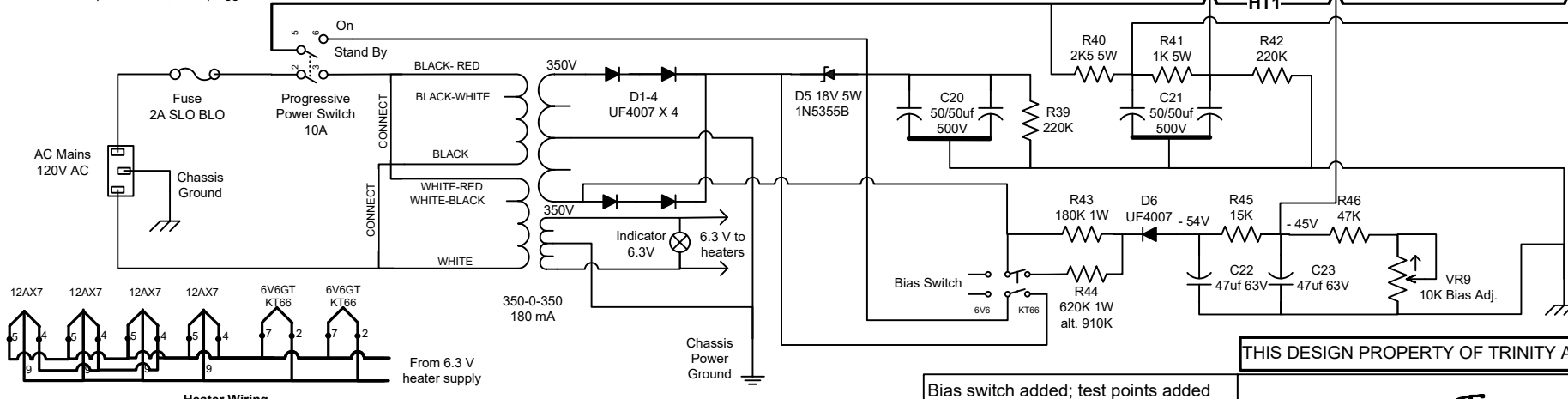


\* Note: Footswitch overrides OD panel switch, when plugged in.



THIS DESIGN PROPERTY OF TRINITY AMPS INC. FOR PERSONAL USE ONLY

**Tweaker Notes**  
 V1 Pin 8 - Townshend/Who CP103 1k5 + 64uF  
 V1 Pin 8 - Late '70s, Late '80s and OL/Lead 1k5 + 150uF  
 V1 Pin 8 - SAP DR 103 2k2 + 100uF  
 V1 Pin 8 - Jimmy Page amp 2k2 + 100uF + additional parallel 1k5 resistor  
 V2 Pin 3 - Townshend /Who CP103 2k2 + 47nF  
 V2 Pin 3 - Page/SAP DR103 1k5 + 47nF  
 V4 - 12AX7 for increased drive.

REV.	DESCRIPTION	DATE	BY
1	added VR3 OD pull switch; optional 64uF on V1	13Jan09	SC
2	Updated to progressive power switch; changed OD switch to SPDT	19Jan09	SC
3	Updated connection to P1 from power rail, updated transformer spec to 700VCT	13Feb09	SC
4	Added 18V Zener & switch for 6V6 operation	24Mar09	SC
5	Changed OD control to 1M	24Mar09	SC
6	Version 1.0 - Connected B+ after D5	26Mar09	SC
7	Revised Relay Control	05May10	SC
8	Revised Drawing Organization only	11May11	SC
9	Added EX Power transformer for 120 VAC Mains	15May13	SC
10	Changed R16 22K to R23 due to wrong part number	3Dec13	SC
11	Corrected ground on supply filters	29Jan17	SC
12	Updated for New Power Transformer	2Jul18	SC
13	Updated for New OD Relay board	17Apr19	SC
14	Update for New OT 8K/3.5K	27Nov19	SC

Bias switch added; test points added  
 18V Zener added for 6V6 operation

*Trinity Amps*

## CUSTOM TRIWATT LEAD

SIZE	FSCM NO	DWG NO	REV
SCALE	1 : 1	Cohrs/Rowley	SHEET 2 OF 44

A

A