

4

3

2

1

D

D

C

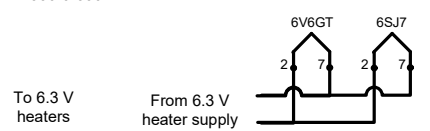
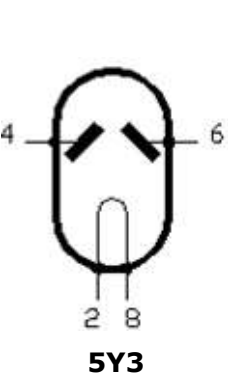
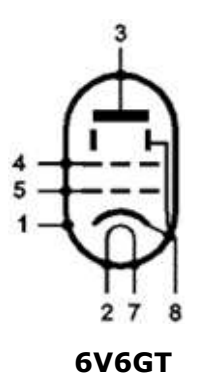
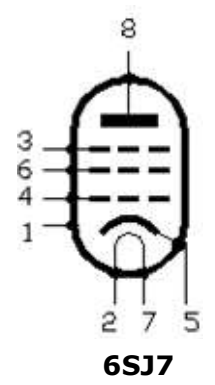
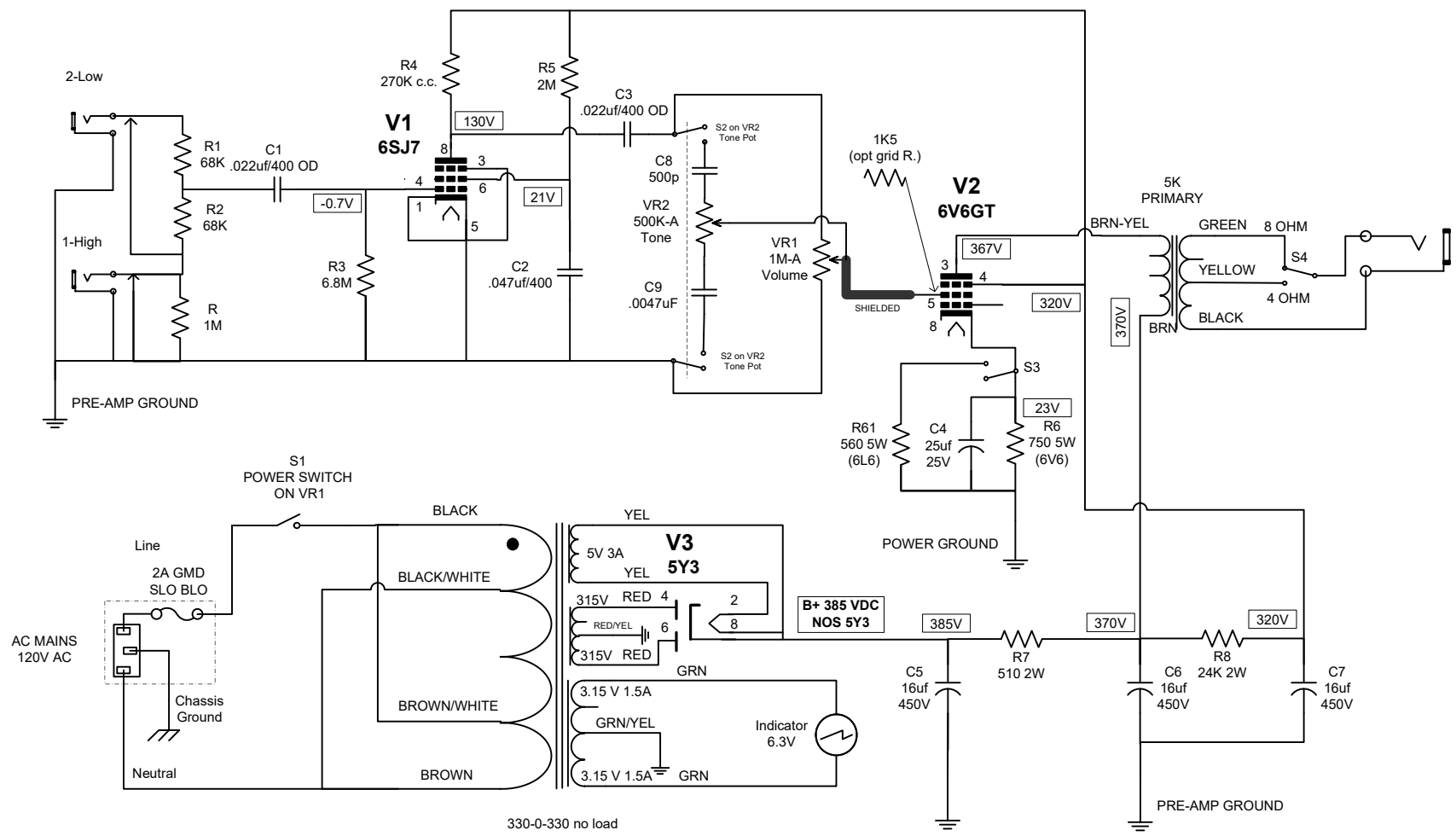
C

B

B

A

A



- 1 first draft 8-01-16
- 2 corrected connections to V1 pin 8 & OT 8-01-16
- 3 corrected trans VAC, 24K R 12-06-17
- 4 updated DC voltages 15-08-17
- 5 updated some comp. added opt, grid R 27-09-17

*Trinity Amps*

# TRITON

SIZE	FSCM NO	DWG NO	REV
SCALE	1 : 1	SHEET	1 OF 21
			<b>5</b>

4

3

2

1