

D

D

C

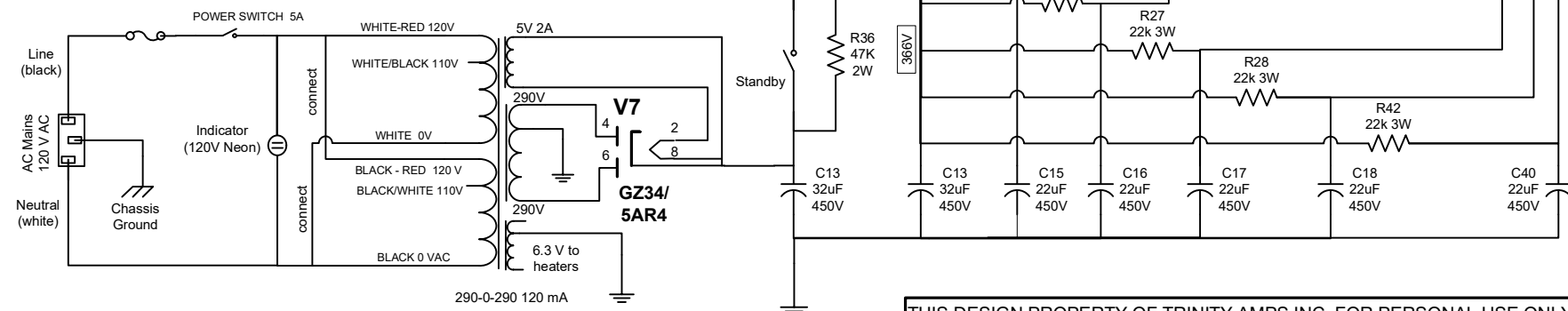
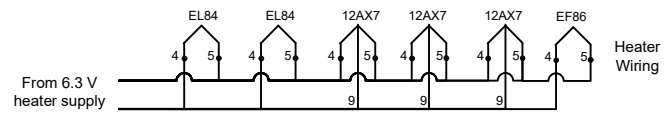
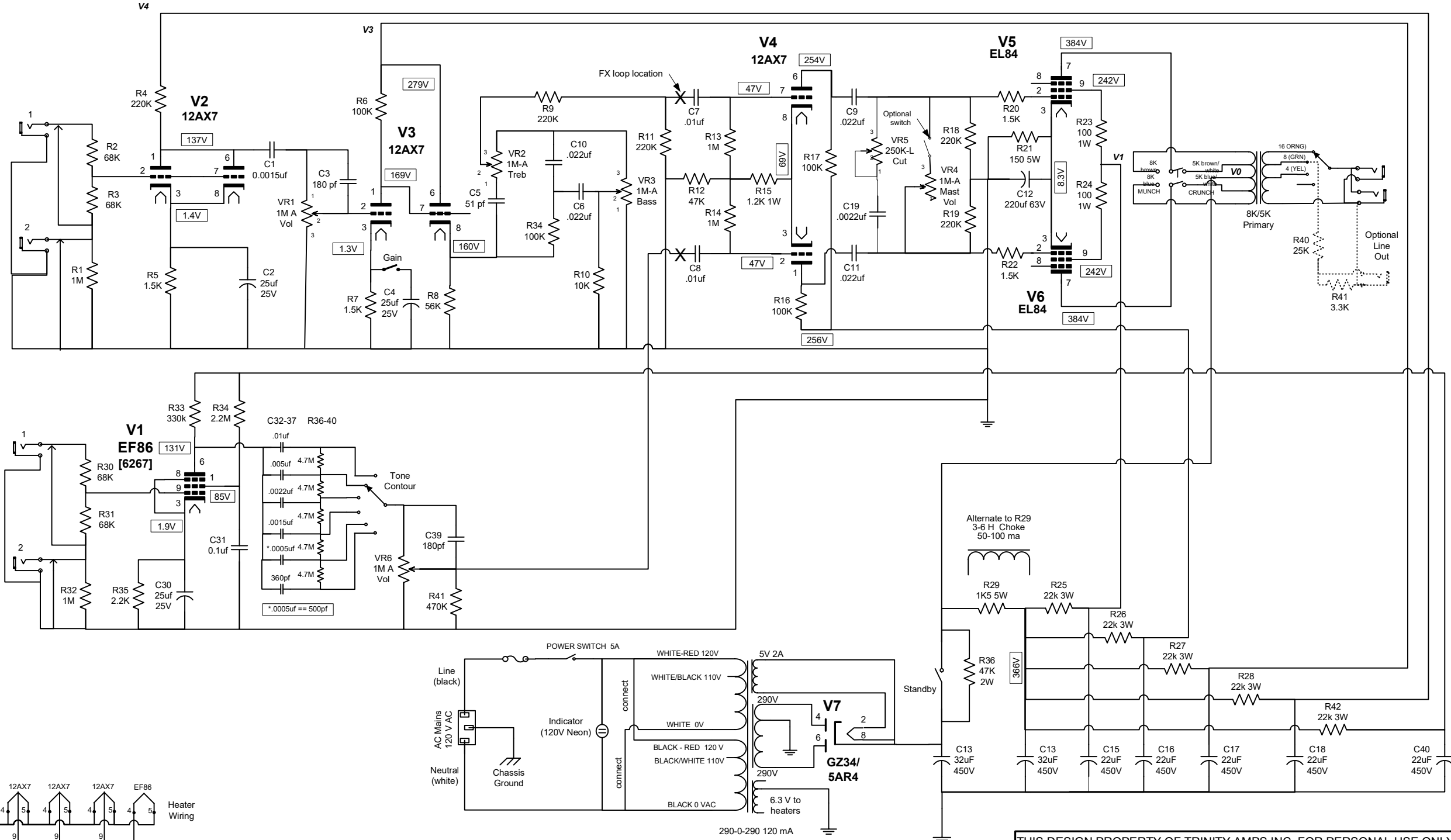
C

B

B

A

A



THIS DESIGN PROPERTY OF TRINITY AMPS INC. FOR PERSONAL USE ONLY

Notes

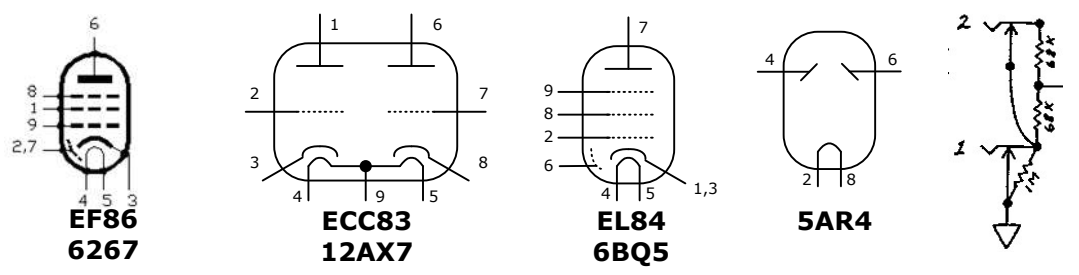
1. Resistors - 1 watt carbon film except as noted and input 68K & 1M which are Metal Film
2. 0.01 & 0.02 Coupling Caps Mallory 150 series
3. Metal oxide resistors throughout power supply & plates & on the P-tube screens.

TWEAKS: R33 220K & R34 1M to reduce stiffness and add compression on EF86; C1 .005 for thicker tone; R15 820R for hotter PI & to reduce brittleness on extreme OD; R12 56K for less PI drive; R10 50K pot to adjust mid; C19 to .0047 more cut.

1. First release April 5, 2007
2. Oct 5/07 - added optional MV switch
3. Dec07 - corrected EF-86 connections
4. 22Jan08 - cut control 250K-L
5. 25Jun13- EF86 plate voltage updated
6. 13Feb14 - Tweak notes added.
7. 15May14 - Crunch-Munch details added
8. 8Jan16 - contour 5.1M+4.7M; added note
9. 29Nov16 - R21 Bias resistor changed to 150 5W
10. 7Jul18 - New Power Transformer updated
11. 13Nov18 - Updated for 150R 5W
12. 21Dec18 corrected PI LTP configuration

Trinity Amps

TC15



SIZE	FSCM NO	DWG NO	REV
SCALE	1 : 1	SHEET	1 OF 37