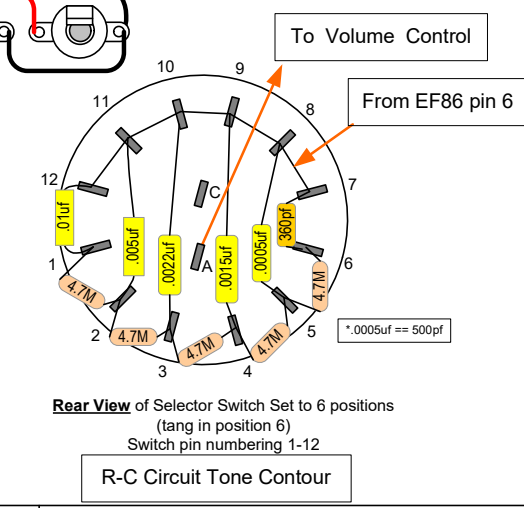


**Mounting Hardware**  
 #4 screws – tubes, terminal strip, pre amp ground, IEC Mains connector  
 #6 screws – power ground, stand-offs  
 #8 screw – Chassis ground with lock washers, transformer

**Wire**  
 20 ga solid – alternating colours from board to tube; board to controls  
 20 ga solid twisted – heater supply  
 18-20 ga stranded / solid – power supply

**SWITCH WIRING**  
 Impedance 4 8 16  
 Colour Y G O  
 Pin # 1 2 3



Ch. 2 Effects Loop between X X THIS DESIGN PROPERTY OF TRINITY AMPS INC. FOR PERSONAL USE ONLY

- 1 Initial TC15 release April 5, 2007
- 2 11May12 – new board design; PT moved 180 deg.
- 3 5Dec12 – included Ch.2 Gain switch
- 4 25Jun13 – Switchcraft output jacks, Colour scheme changed
- 5 14Sep14 – Contour layout updated
- 6 7Dec15 – grounded all pins of input jacks
- 7 5Jan16 .0012 to .0015 on contour switch
- 8 25Nov16 Bias resistor changed to 150R 5W, FX loop ch. 2
- 9 2Jul18 Updated for new Power Transformer

*Trinity Amps*

## TC15 120V Layout

SIZE	FSCM NO	DWG NO	REV
SCALE	1 : 1	SHEET	2 OF 40

11