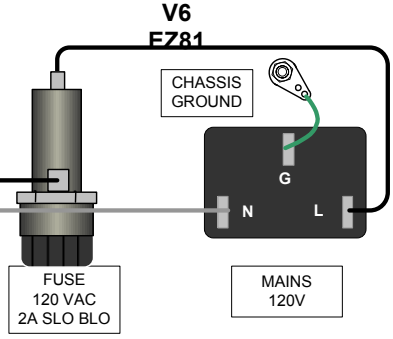
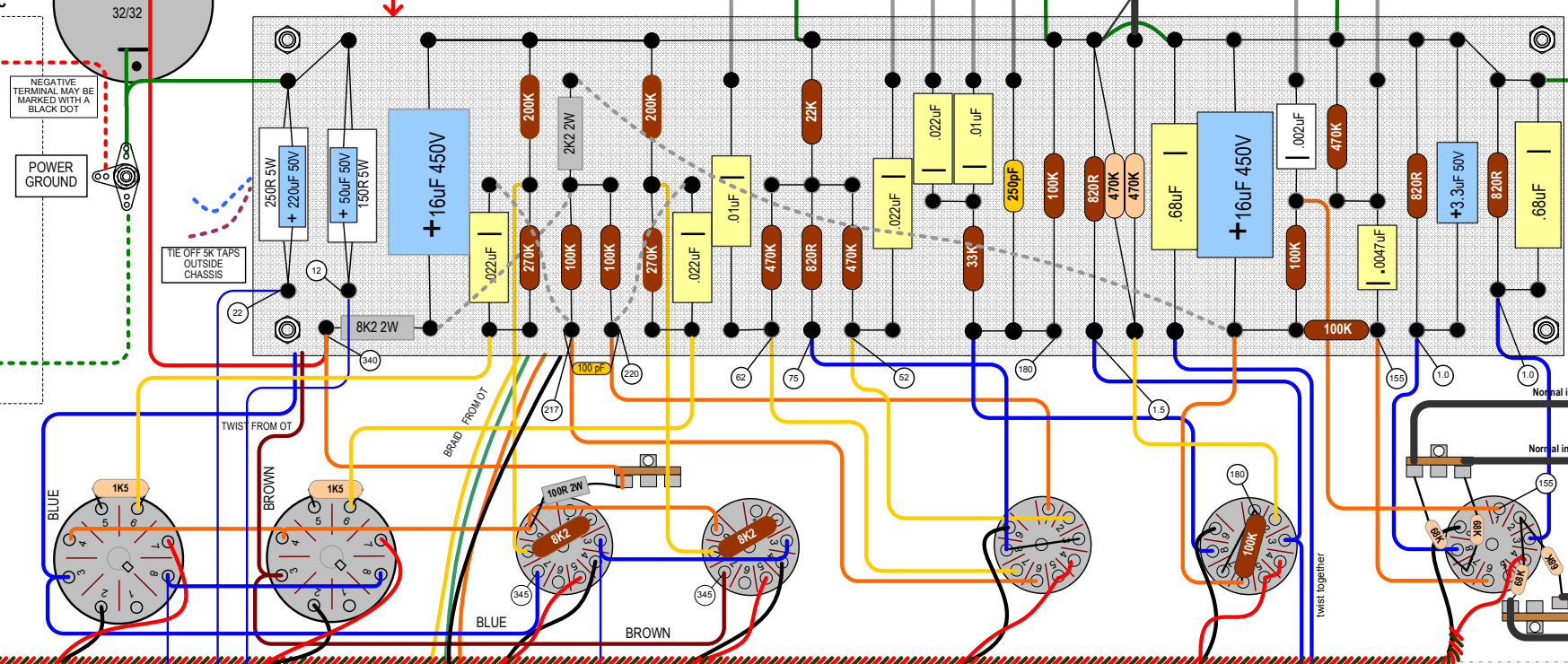
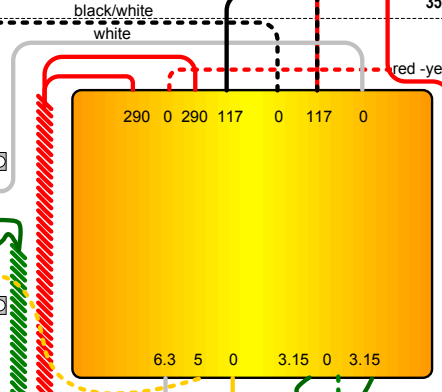


INDICATOR POWER STANDBY BASS MIDDLE TREBLE GAIN VOLUME INPUT TONE VOLUME INPUT

D  
C  
B  
A

D  
C  
B  
A



SWITCH WIRING

Impedance	4	8	16
Colour	Y	G	O
Pin #	1	2	3

**Mounting Hardware**  
 #4 screws – tubes, terminal strip, pre amp ground, IEC Mains connector  
 #6 screws – power ground, stand-offs  
 #8 screw – Chassis ground with lock washers, transformer

**Wire**  
 22 ga solid – alternating colours from board to tube; board to controls  
 22 ga twisted – heater supply  
 18 ga stranded – power supply

Initial release Nov. 2, 2013  
 2 3/12/13 R12 changed from 20K to 22K  
 3 19/12/13 C21/100pf moved across 100K PI plate resistors  
 4 11/02/14 Removed extra ground from coax at gain pot. R12 changed back to 22K  
 5 27/04/14 Power Tube Cathode switch resistors changed to 220K  
 7 changed to piggy back power tube biasing layout

THIS DESIGN PROPERTY OF TRINITY AMPS INC. FOR PERSONAL USE ONLY

*Trinity Amps*

v6 - Plexi Mk II  
 Dual Power Tube with Boost

SIZE	FSCM NO	DWG NO	REV
SCALE	Not To Scale	SHEET	28 OF 47

A