

4

3

2

1

D

D

C

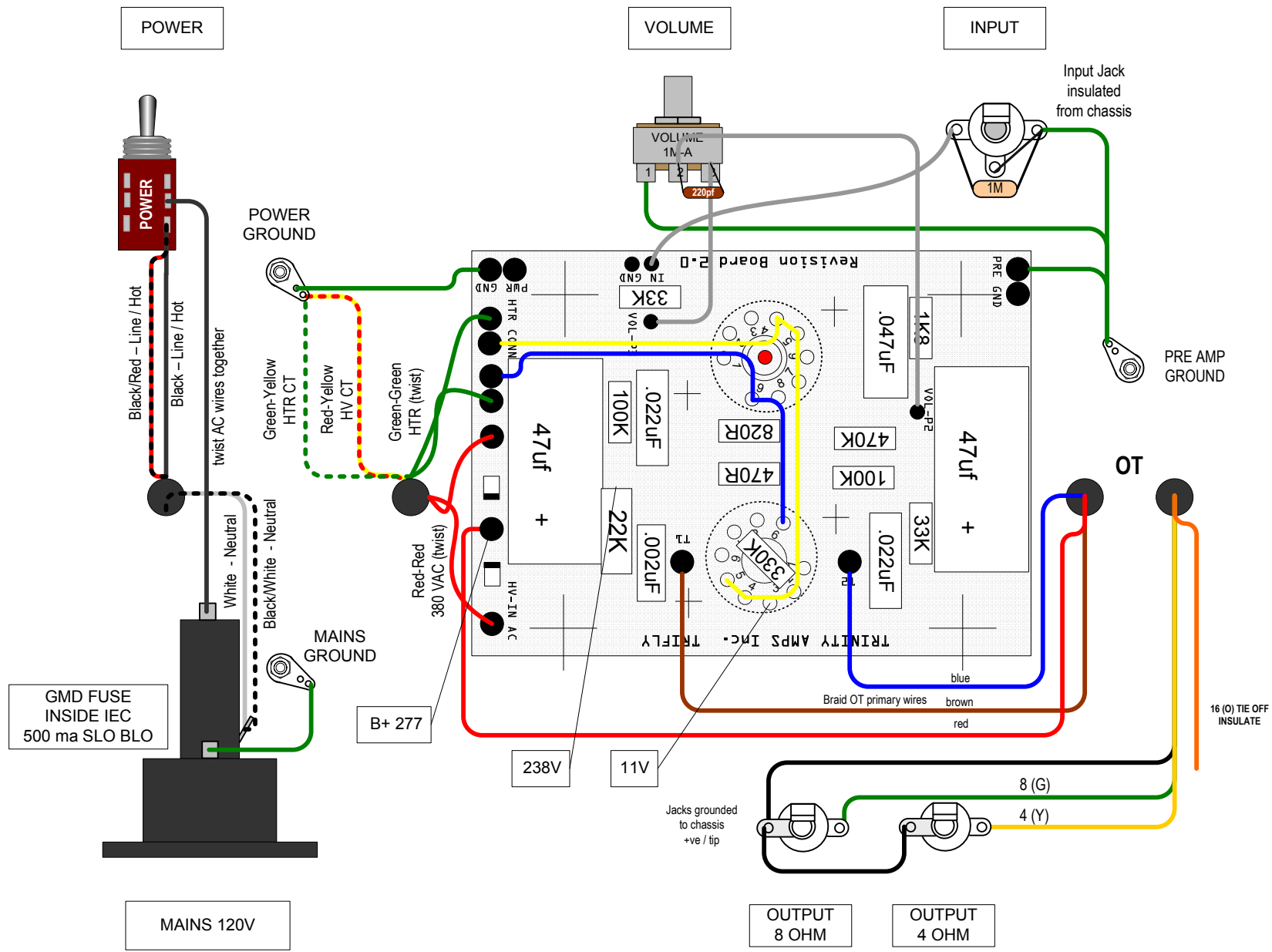
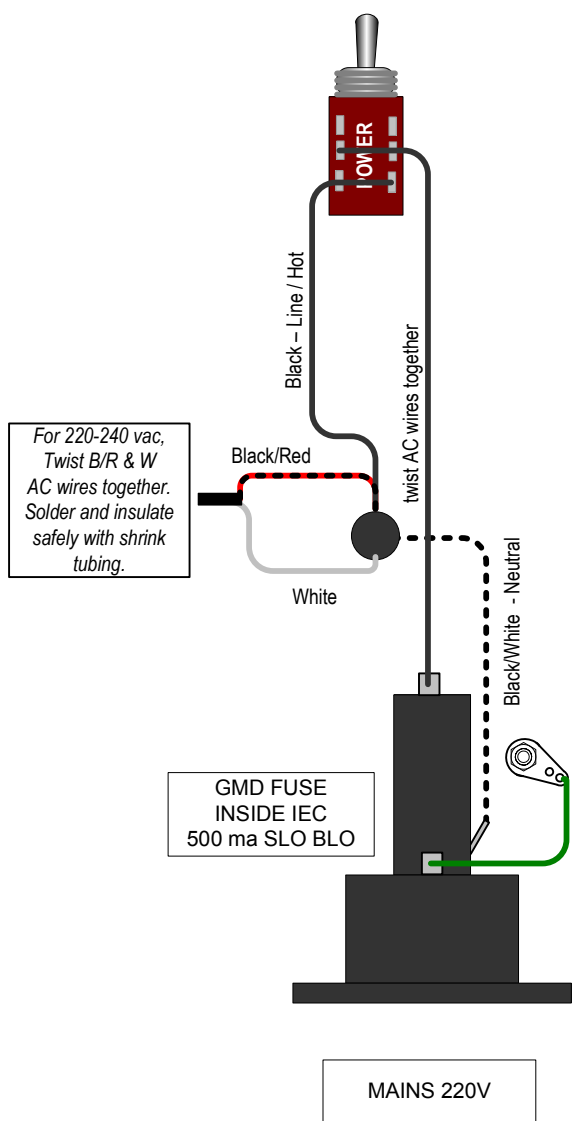
C

B

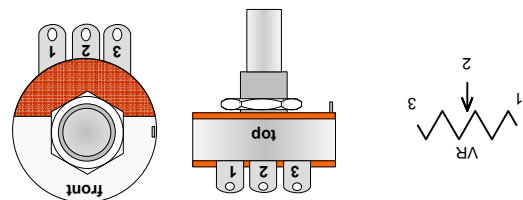
B

A

A



3mm INDICATOR LED  
LOCATED IN V1 TUBE  
SOCKET  
WITH 270R



**HARDWARE**  
 4-40 X 5/16" screw – attach sockets with 4-40 KEPS nuts  
 4-40 X 7/16" screw – attach IEC sockets into threaded holes  
 4-40 X 3/4" screw – attach board thru 3/8" stand-offs with 4-40 NYLON Nuts  
 6-32 X 3/8" screw – Mount OT, PT, mains ground, power ground, pre-ground with KEPS nuts

Rev.	Date	Reason
1	03/27/14	1 <sup>st</sup> draft
2	05/02/16	first production release
3	21/05/16	added 220-240 V wiring
4	21/10/16	power switch wiring clarified

THIS DESIGN PROPERTY OF TRINITY AMPS INC. FOR PERSONAL USE ONLY

*Trinity Amps*

**TriFly PCB Layout**

SIZE	FSCM NO	DWG NO	REV
			5
SCALE	1 : 1	SHEET	2 OF 34

4

3

2

1