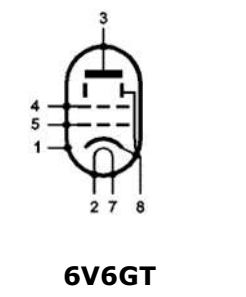
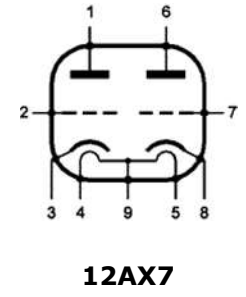
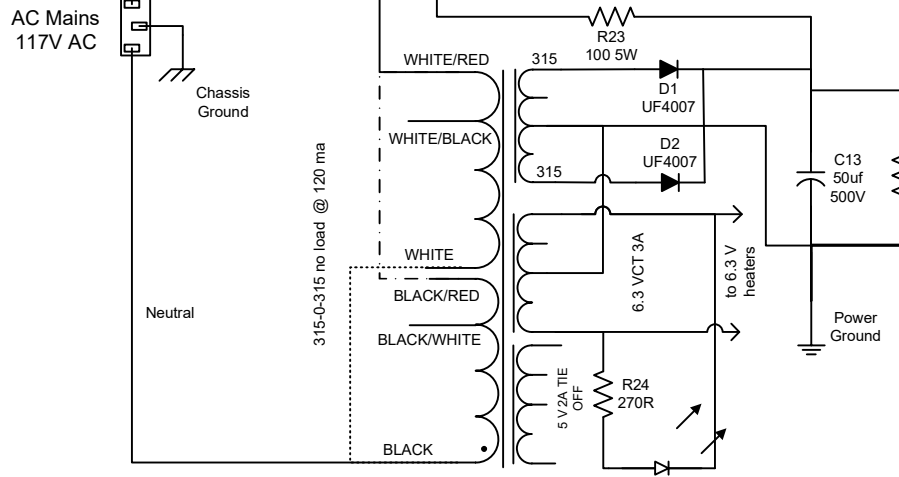
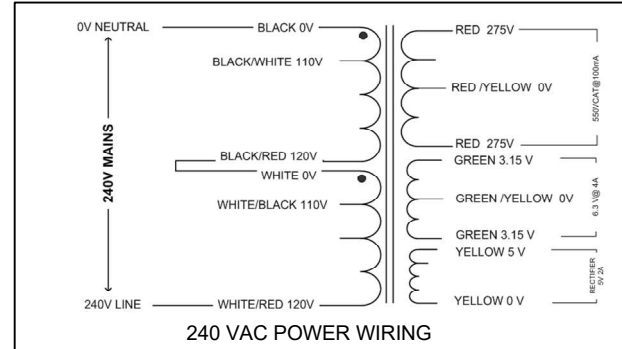


OT Specs
 15W capacity
 Primary - 2500 / 5000 ohms
 Secondaries - 4, 8 and 16 ohms

Pre-Amp Boost (PAB)
 Disconnect R13 ground side from eyelet board. Insert Cliff Jack switch between ground side of R13 and pre-amp ground. Use footswitch to engage PAB. It is off by default.
 *R13 Experiment with 470K to 5M. The higher the value, the more boost. Infinite (open circuit) is maximum.

6_6 / EL34 Optional Output Transformer Switch Wiring



Rev.	Date	Reason
1	11/30/08	1st issue based on 5F2A/p1eX
2	10/20/09	VRM added
3	12/3/09	new labels, optional h. phone change to 22K PS resistor with 220K plate on V1
4	01/1/10	Changed fat/thin config.
5	03/03/10	Updated to build schematic
6	03/14/10	Added options
7	04/19/10	Changed fat/thin config.
8	05/05/10	Updated options to standards; PT specs changed to 630 CT
9	05/07/10	Updated OT connections
10	06/16/10	Moved R2 after R1
11	03/25/11	Moved R2 after C1, before R1
12	08/22/11	Added EL34 impedance switching
13	02/20/12	Added bleeder res; reversed VR5 pin
14	05/23/13	Removed R25 on 33uf cap
15	01/5/14	Changed R22 to 220K
16	08/23/16	Added PAB option
17	08/10/17	Updated Optional EL34 OT switch wiring
18	4Dec18	New PT added

THIS DESIGN PROPERTY OF TRINITY AMPS INC. FOR PERSONAL USE ONLY

Trinity Amps

Tramp

SIZE	FSCM NO	DWG NO	REV
SCALE	1 : 1	SHEET	1 OF 27